

IMV VIBRATION TEST SYSTEMS

J series

Air-cooled Vibration Test Systems J240S/SA6HAG



Long duration shock tests require high velocity and large displacement. J-series is a high-frequency system that offers usability and durability furnished with functions that accommodates high velocity and displacement testing.

[Expanded maximum test range]

- Maximum velocity of Sine force: 2.4 m/s
- Maximum velocity of Shock force: 4.6 m/s
- Maximum displacement: 100 mmp-p

[Patented upper (armature) support system PS Guide] Parallel Slope Guide is standard.

[All models can be directly coupled to a climatic chamber.]



① High Velocity and Large Displacement

High velocity of 2.4 m/s and Large displacement of 100 mmp-p (4 inch).



■ PSG guide system

② Improvement of Testing Environment

With the operation of Intelligence Shaker Management (ISM), EM range can reduce power consumption and CO2 emissions automatically.

eco-shaker

② User first principle

Compatible with K2 vibration controller. Intuitive interface leads The operator with user-friendly guidance.





System Specification		
System Model		J240S/SA6HAG
Frequency Range (Hz)		0-2,400
Rated Force	Sine (kN)	24
	Random (kN rms) ^{*1}	24
	Shock (kN)	70
	High Velocity Shock (kN)	-
Maximum Acc.	Sine (m/s ²)	857
	Random (m/s ² rms)	600
	Shock (m/s ²)	2,000
	High Velocity Shock (m/s ² peak)	-
Maximum Vel.	Sine (m/s)	2.4
	Shock (m/s peak)	3.6
	High Velocity Shock (m/s peak)	-
Maximum Disp.	Sine (mmp-p)	100
	High Velocity Shock (mmp-p)	-
Maximum Travel (mmp-p)		120
Maximum Load (kg)		400
Power Requirements (kVA) ^{*2}		52
Breaker Capacity (A) ^{*3}		100

Vibration Generator (J240S)	
Armature Mass (kg)	18
Armature Diameter (φ mm)	290
Armature Resonance (Hz)	2,000
Allowance Eccentric Moment (N·in)	850
Mass (kg)	2,400

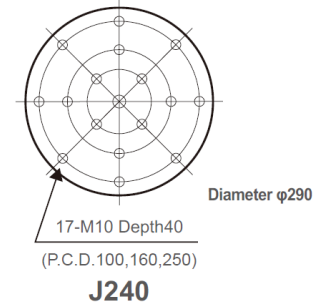
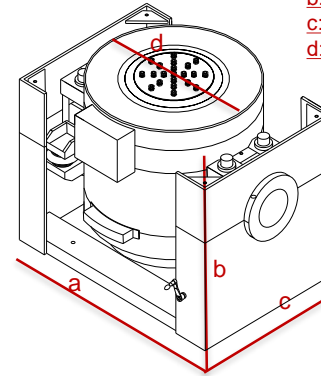
Power Amplifier (SA6HAG-J40S)	
Maximum Output (kVA)	40
Mass (kg)	1,000

Cooling (VAPE/N 560/2R)	
Mass (kg)	150

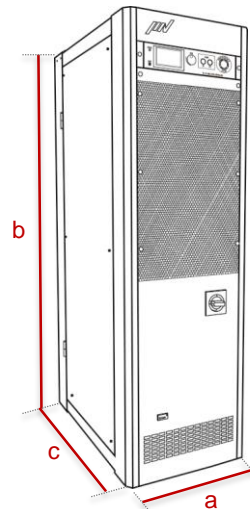
Environmental Data		
Input Voltage Supply (3 φ, V)	380/400/415/440	
Compressed Air Supply (Mpa)	0.6	
Working Ambient Temperature	Shaker (°C)	0-40
	Amplifier (°C)	0-85

^{*1} Random force ratings are specified in accordance with ISO5344 conditions. Please contact IMV or your local distributor with specific test requirements.
^{*2} Power supply: 3-phase 380/400/415/440 V, 50/60 Hz. A transformer is required for other supply voltages.
^{*3} Breaker capacity for 480 V.
^{*} The specification shows the maximum system performance. For long-duration tests, system must be de-rated up to 70%. Continuous use at maximum levels may cause failure. Please contact IMV if your system operates at more than 70%.
^{*} For random vibration tests, please set the test definition of the peak value of acceleration waveform to operate at less than the maximum acceleration of shock.
^{*} Frequency range values vary according to the sensor and vibration controller.
^{*} Armature mass and acceleration may change when a chamber is added.

Vibration Generator (J240S) **a: W 1,234 mm** **b: H 1,145 mm** **c: D 890 mm** **d: 720 φmm** Table Insert Pattern (unit: mm)



Amplifier (SA6HAG-J40S) **a: W 580 mm** **b: H 1,950 mm** **c: D 850 mm**



Blower **a: W 929 mm** **b: H 2,175 mm** **c: D 534 mm**

